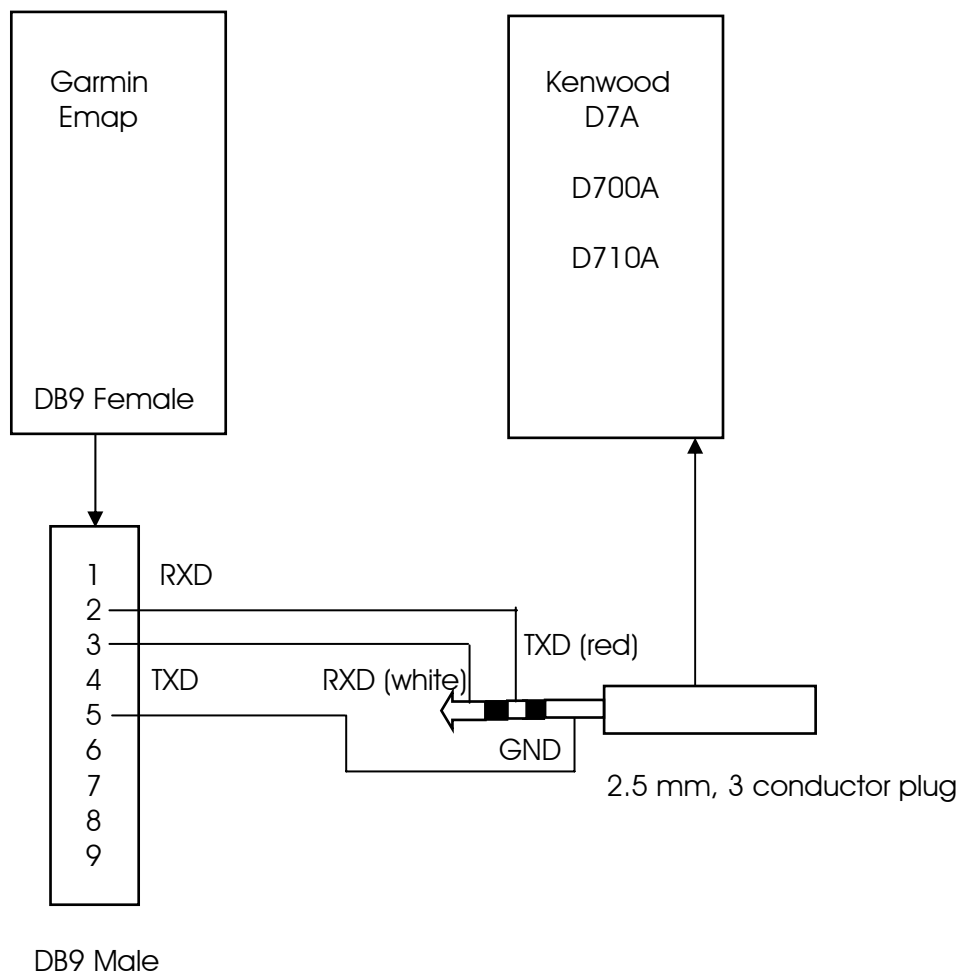


Garmin GPS to Kenwood TH-D7A & TM-D700A & TM-D710A Transceivers

Dr. John A. Allocca WB2LUA

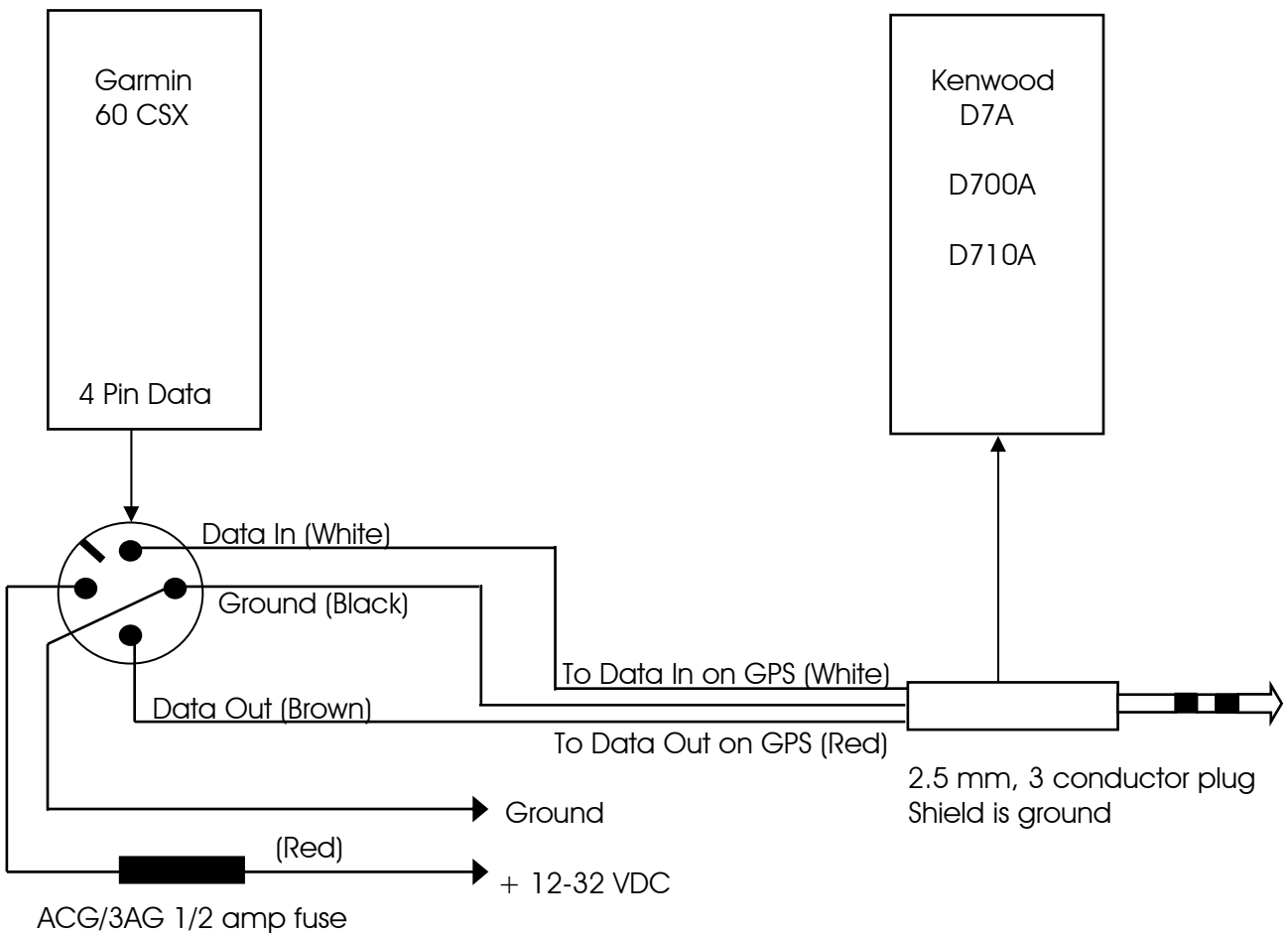
10/11/07



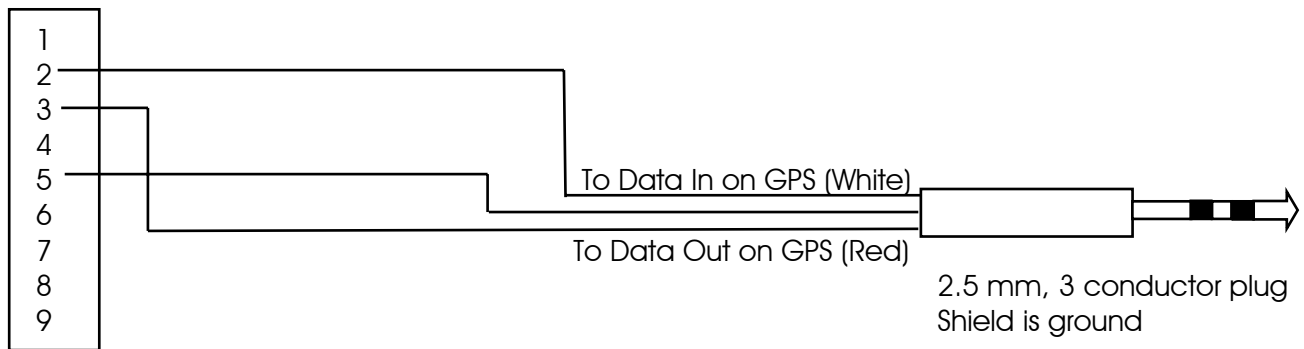
Pin 2 = RXD
Pin 3 = TXD
Pin 5 = GND

Tip = White
2nd Barrel = Red
Case = Shield

Continued on next page...



To Test Kenwood Output



DB9 Female
Pin 2 (Data In)
Pin 3 (Data Out)
Pin 5 (Ground)

White = Tip
Red = Ring
Shield = Base

Connect Garmin to kenwood. After GPS starts flashing, connect to computer
Run hyper terminal, 9600, Bits 8, Parity No, Start Bits 1, Flow Control None.
\$GPWL, will appear if the D710 is set for NMEA.
\$PKWDWPL, will appear if the D710 is set for Kenwood.

Continued on next page...

Kenwood TM-D710A Radio Setup

- Turn the radio ON.
- Press the "F" key to access the Setup Menu.
- Press the MHZ knob.
- Turn knob to select APRS.
- Press the BACK Button to select the next menu.

Basic Setting Menu #600

- Enter your call sign.
- Set Beacon Type to APRS.
- Turn the MHZ knob to scroll through menus.

Internal TNC Menu # 601

- Do not make any changes. Leave all settings at "Default."
- Data Band A-Band
- Data Speed 1 200 bps
- DCD Sense D or RxD Band
- TX Delay 200 ms

GPS Port Menu #602

- Change the Baud Rate to 9600 or 4800 depending up the gps receiver speed.
- Set the Input to "GPS"
- Set the Output to "Waypoint"

Waypoint Format Menu # 603

- Set Format to "NEMA"
- Change NAME to "9-CHAR"
- The Output setting should be set to "ALL"

Beacon Information Menu # 606

- Speed setting should be turned ON
- Altitude setting should be turned ON
- Position Ambiguity should be turned OFF

Beacon TX Algorithm Menu # 611

- Set the Method to "Auto"
- Press ESC to return to the main page
- Change the APRS Frequency to: 144.390
- Select TNC and press to turn on APRS 12
- Press "BCON" to turn on -- BCN will appear in the upper right corner

If you interface the units and do not see a flashing "GPS" signal on the upper right hand corner of the Kenwood, then the APRS cable may not be plugged-in all the way or correctly. Please check that the cord is plugged into the proper ports and plugged-in all the way.