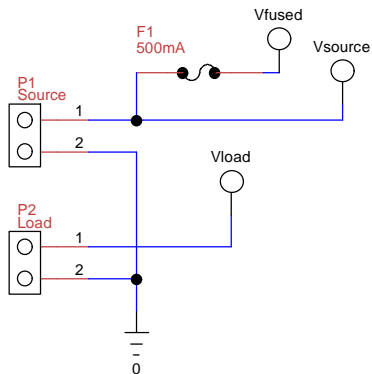


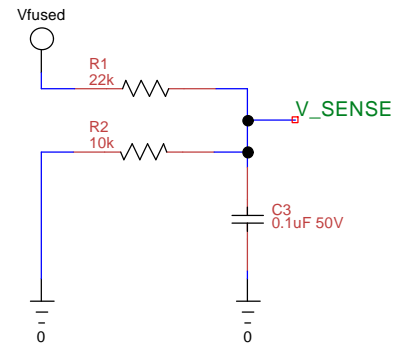
# APO3c Automatic Power Off



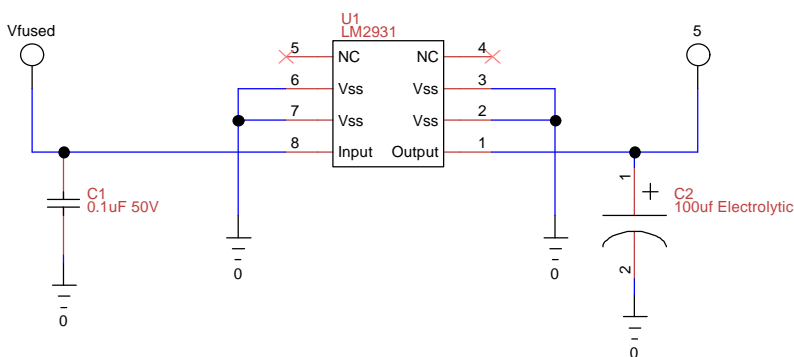
## Power Input / Output



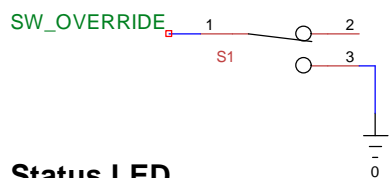
## Input Voltage Divider



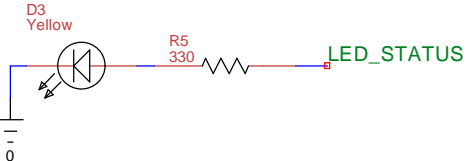
## 5 volt Power Supply



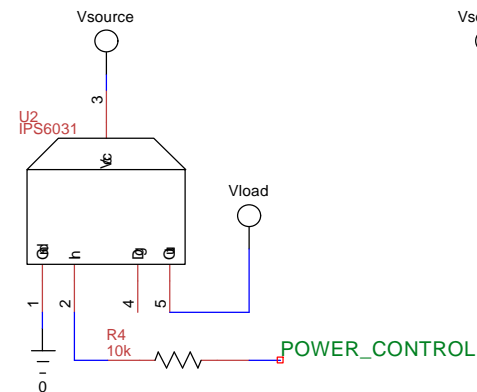
## Override Switch



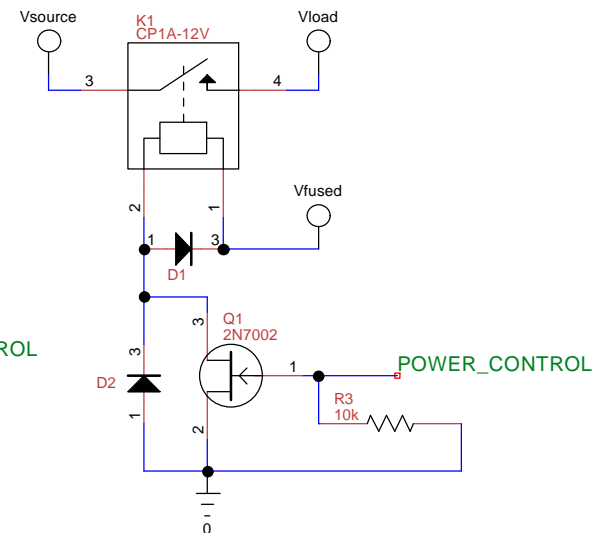
## Status LED



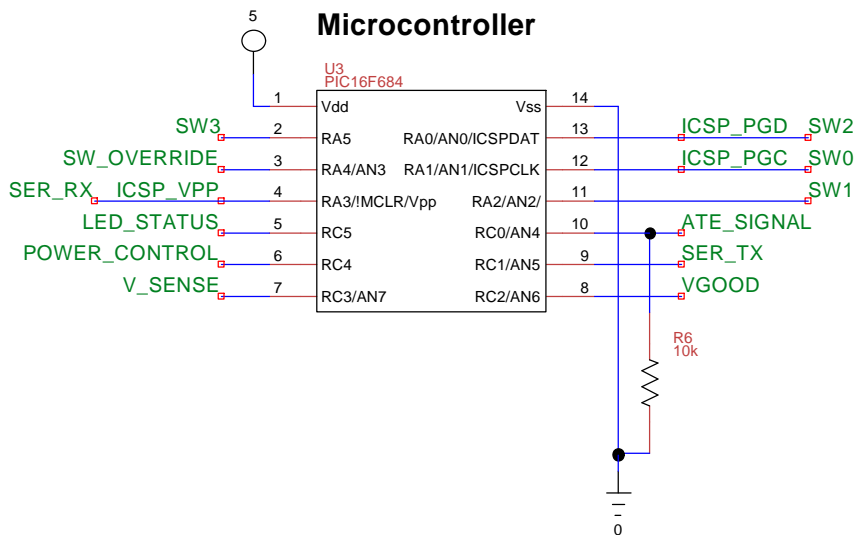
## Alternative Configuration 3A IPS Switch



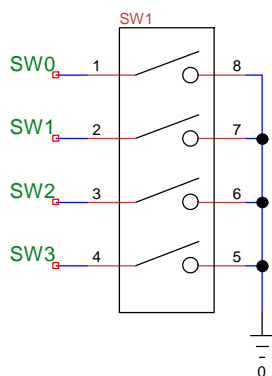
## Standard Configuration 20A Relay



## Microcontroller



## DIP Switches



## Test / Programming Connector

