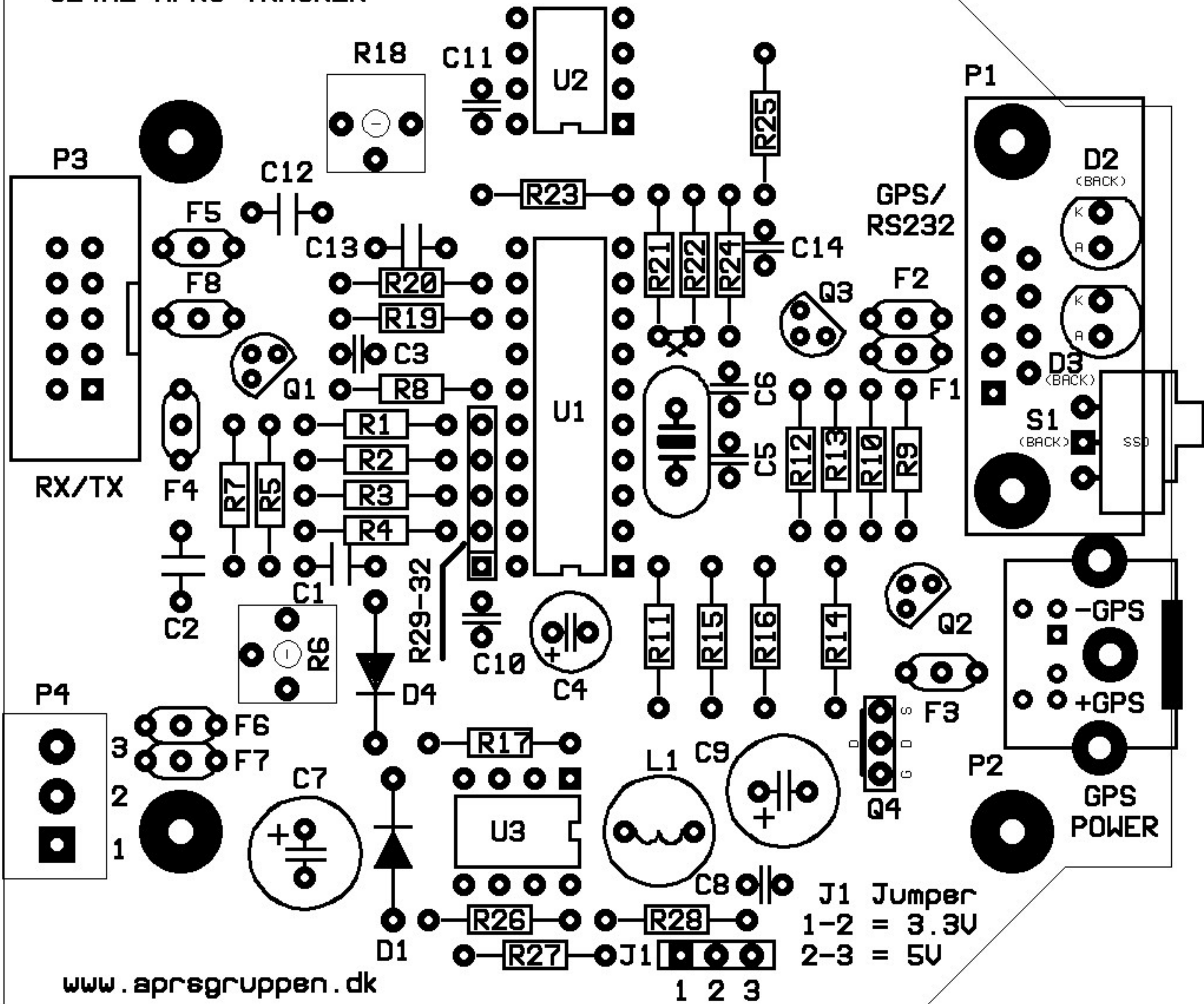


OZ4HZ APRS TRACKER



J1 Jumper
 1-2 = 3.3V
 2-3 = 5V