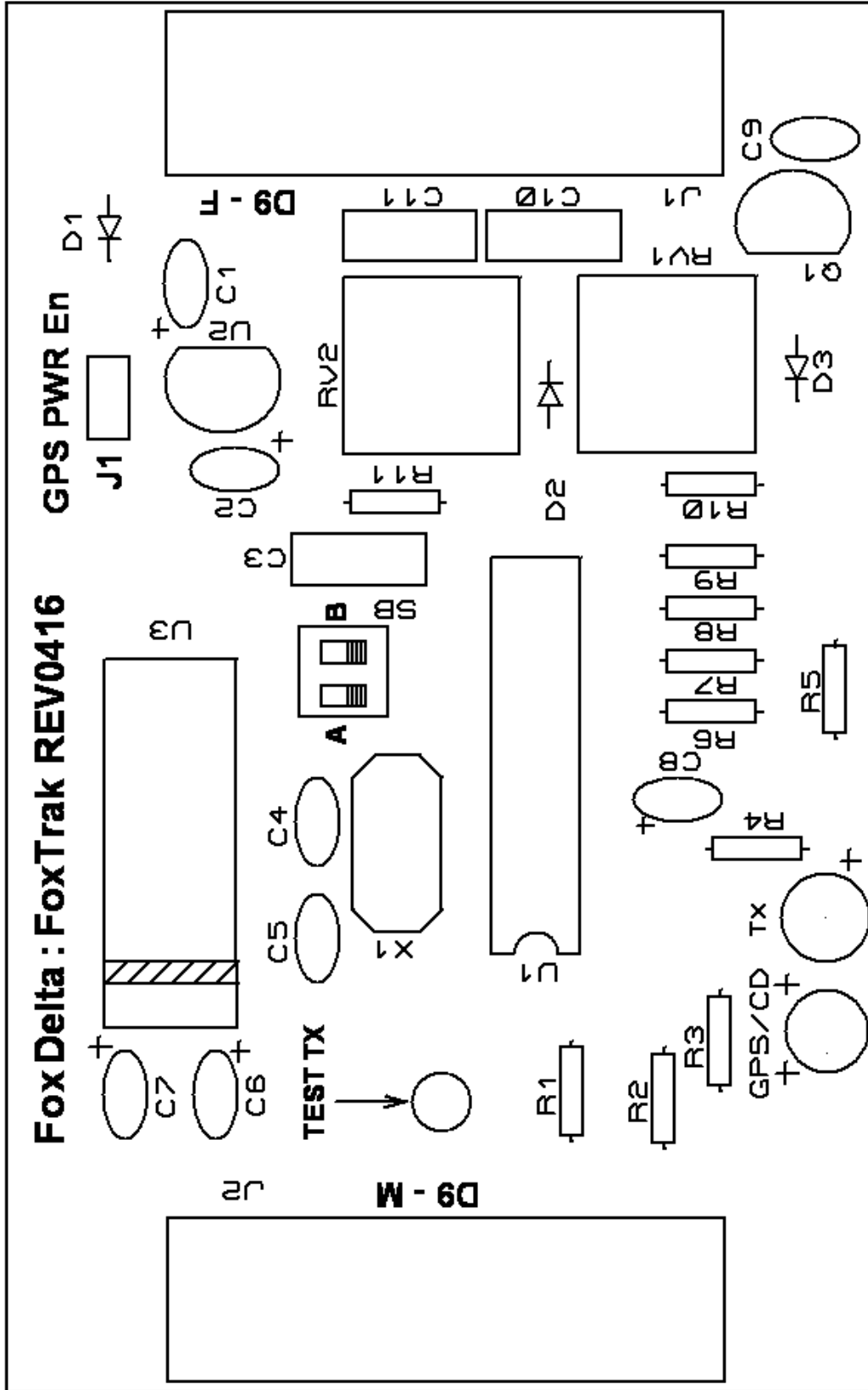




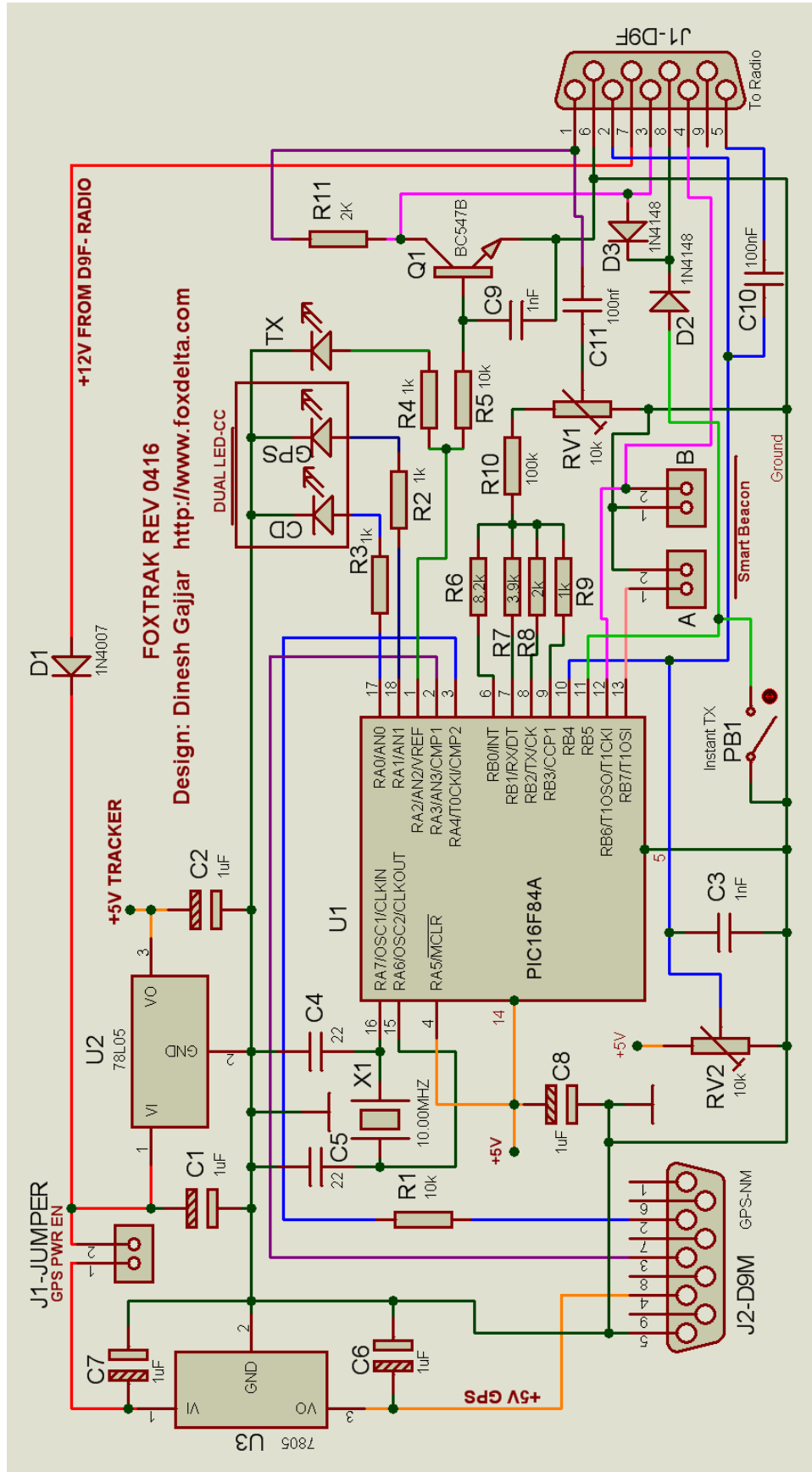
## FT-0416 Schematic and Parts List: APRS 1200 baud Tracker

Foxtrak Parts List & PCB Component Layout: **Rev FT- 0416**

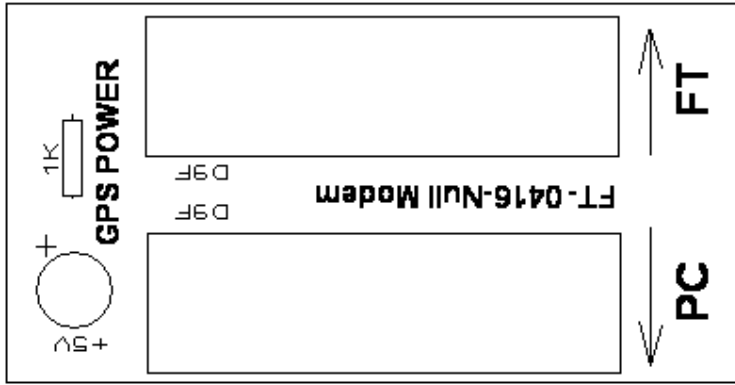
Quantity	Check	Part ID / Details
1		FoxTrak DSPTH PCB FT-0416
1 Each=2		D9M(J2) & D9F(J1) R/A Connectors
2		1N4148 (D2,3)
1		1N4007 (D1)
1		PIC16F84A/648A with firmware: U1
1		18PIN IC Socket
1		7805 U3
1		78L05 U2
5		1uf/35V Tantalum (C1, 2, 6, 7, 8)
2		0.1uf Poly Capacitors (C10, 11)
2		0.001uf Poly capacitors (C3, 9)
2		22pf ceramic capacitors (C4, 5)
1		Crystal 10.000MHZ (HC49US)
1		NPN Transistor BC547B (Q1)
2		10k Bourns Presets (RV1, 2)
1		Single LED 3mm
1		Dual LED CC
1		DIP2 SWITCH (A/B : Smart Beacon)
1		Push Switch (Test-TX)
1		Metal Case with mounting hardware
		Resistors (Philips 0.5W 5%)
4		1k (R2, 3, 4, 9)
1		100k (R10)
2		10k (R1, 5)
2		2k (R8, 11)
1		3.9k (R7)
1		8.2k (R6)
1		Null-modem PCB with 2xD9F connectors.



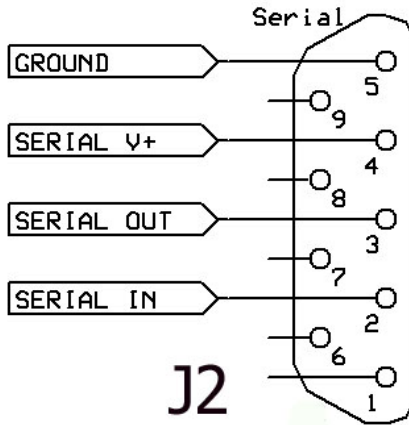
# Foxtrak-0416 Schematic:



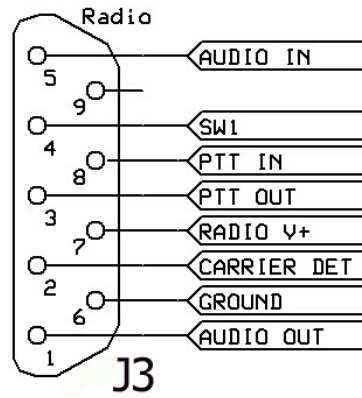
**FT-0416 KIT INCLUDES A Null Modem kit:**



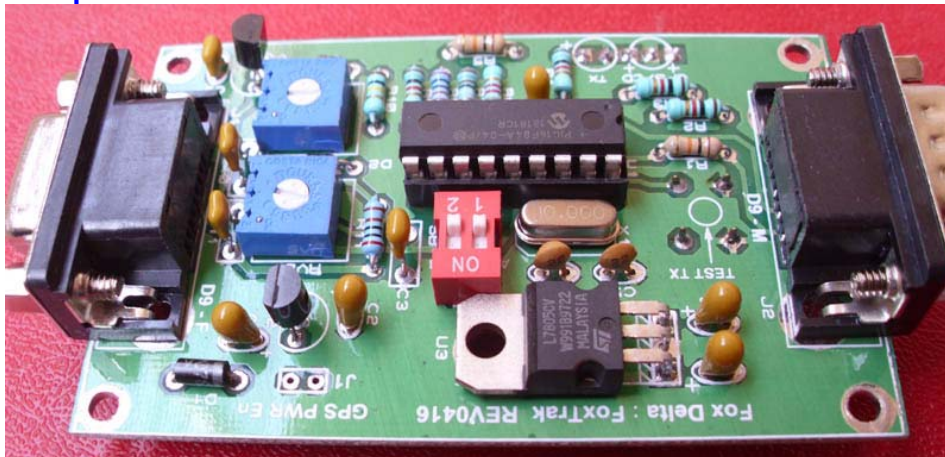
**PC Config / GPS Connection:**



**Radio Connections:**



**Completed FT-0416:**



73s/Dinesh Gajjar  
2<sup>nd</sup> June 2016

Please visit project page at: <http://www.foxdelta.com>